



Designation: D2162 – 21

Standard Practice for Basic Calibration of Master Viscometers and Viscosity Oil Standards¹

This standard is issued under the fixed designation D2162; the number immediately following the designation indicates the year of original adoption or, in the case of revision, the year of last revision. A number in parentheses indicates the year of last reapproval. A superscript epsilon (ϵ) indicates an editorial change since the last revision or reapproval.

1. Scope*

1.1 This practice covers the calibration of master viscometers and viscosity oil standards, both of which may be used to calibrate routine viscometers as described in Test Method D445 and Specifications D446 over the temperature range from 15 °C to 100 °C.

1.2 The values stated in SI units are to be regarded as standard. No other units of measurement are included in this standard.

1.2.1 The SI-based units for calibration constants and kinematic viscosities are mm^2/s^2 and mm^2/s , respectively.

1.3 *This standard does not purport to address all of the safety concerns, if any, associated with its use. It is the responsibility of the user of this standard to establish appropriate safety, health, and environmental practices and determine the applicability of regulatory limitations prior to use.* For specific warning statements, see Section 7.

1.4 *This international standard was developed in accordance with internationally recognized principles on standardization established in the Decision on Principles for the Development of International Standards, Guides and Recommendations issued by the World Trade Organization Technical Barriers to Trade (TBT) Committee.*

2. Referenced Documents

2.1 *ASTM Standards:*²

D445 Test Method for Kinematic Viscosity of Transparent and Opaque Liquids (and Calculation of Dynamic Viscosity)

D446 Specifications and Operating Instructions for Glass Capillary Kinematic Viscometers

D1193 Specification for Reagent Water

¹ This practice is under the jurisdiction of ASTM Committee D02 on Petroleum Products, Liquid Fuels, and Lubricants and is the direct responsibility of Subcommittee D02.07 on Flow Properties.

Current edition approved April 1, 2021. Published April 2021. Originally approved in 1963. Last previous edition approved in 2017 as D2162 – 17. DOI: 10.1520/D2162-21.

² For referenced ASTM standards, visit the ASTM website, www.astm.org, or contact ASTM Customer Service at service@astm.org. For *Annual Book of ASTM Standards* volume information, refer to the standard's Document Summary page on the ASTM website.

D1250 Guide for the Use of the Joint API and ASTM Adjunct for Temperature and Pressure Volume Correction Factors for Generalized Crude Oils, Refined Products, and Lubricating Oils: API MPMS Chapter 11.1

D1480 Test Method for Density and Relative Density (Specific Gravity) of Viscous Materials by Bingham Pycnometer

D1590 Test Method for Surface Tension of Water

D8278 Specification for Digital Contact Thermometers for Test Methods Measuring Flow Properties of Fuels and Lubricants

E1 Specification for ASTM Liquid-in-Glass Thermometers

E563 Practice for Preparation and Use of an Ice-Point Bath as a Reference Temperature

E644 Test Methods for Testing Industrial Resistance Thermometers

E1137 Specification for Industrial Platinum Resistance Thermometers

E1750 Guide for Use of Water Triple Point Cells

E2593 Guide for Accuracy Verification of Industrial Platinum Resistance Thermometers

E2877 Guide for Digital Contact Thermometers

2.2 *ISO Standard:*³

ISO 3666 Viscosity of Water

3. Terminology

3.1 *Definitions:*

3.1.1 *digital contact thermometer (DCT)*, *n*—an electronic device consisting of a digital display and associated temperature sensing probe.

3.1.1.1 *Discussion*—This device consists of a temperature sensor connected to a measuring instrument; this instrument measures the temperature-dependent quantity of the sensor, computes the temperature from the measured quantity, and provides a digital output. This digital output goes to a digital display and/or recording device that may be internal or external to the device.

3.1.1.2 *Discussion*—The devices are often referred to as a “digital thermometers,” however the term includes devices that

³ Available from American National Standards Institute (ANSI), 25 W. 43rd St., 4th Floor, New York, NY 10036, <http://www.ansi.org>.

*A Summary of Changes section appears at the end of this standard

sense temperature by means other than being in physical contact with the media.

3.1.1.3 *Discussion*—PET is an acronym for portable electronic thermometers, a subset of digital contact thermometers (DCT).

3.2 *Definitions of Terms Specific to This Standard:*

3.2.1 *basic calibration, n*—calibration based on the primary standard, water.

3.2.1.1 *Discussion*—Pure water has a kinematic viscosity of 1.0034 mm²/s at 20 °C. See ISO 3666.

3.2.2 *master viscometer, n*—glass capillary viscometer with a liquid driving head of at least 400 mm.

3.2.2.1 *Discussion*—It is specially designed to minimize errors due to surface tension, kinetic energy, and capillary end effects.

3.2.3 *viscosity oil standard, n*—stable Newtonian liquid, the kinematic viscosity of which has been related to the kinematic viscosity of water through the step-up procedure described in this practice.

3.3 *Acronyms:*

3.3.1 *PRT, n*—Platinum Resistance Thermometer

3.3.1.1 *Discussion*—The sensor used in a PRT is made from platinum, whose resistance varies with temperature.

3.3.2 *SPRT, n*—Standard Platinum Resistance Thermometer

3.3.2.1 *Discussion*—An SPRT is a high precision PRT with an accuracy on the order of one mK (0.0010 °C).

4. Summary of Practice

4.1 Two or more master viscometers, having calibration constants in the 0.001 mm²/s² to 0.003 mm²/s² range, are calibrated with water at 20 °C. The kinematic viscosities of two or more oil standards are measured at 40 °C in these two master viscometers. Corrections are made for buoyancy and, where necessary, for temperature and surface tension.

4.2 A third master viscometer, with a calibration constant of 0.003 mm²/s² to 0.009 mm²/s², is then calibrated at 40 °C with the two standard oils and its calibration factor calculated at standard conditions for water at 20 °C. In like manner additional viscosity oil standards and additional master viscometers are calibrated at 40 °C using the average results from at least two master viscometers or two oil standards. Steps between successive calibration constants or viscosities increase by a factor of three or less until the desired viscosity range is covered.

4.3 Oils are calibrated at other temperatures using the average result from at least two master viscometers.

5. Significance and Use

5.1 Because there are surface tension or kinematic viscosity differences, or both, between the primary standard (7.4) and kinematic viscosity standards (7.5), special procedures using master viscometers are required to “step-up” from the kinematic viscosity of the primary standard to the kinematic viscosities of oil standards.

5.2 Using master viscometers calibrated according to this practice, an operator can calibrate kinematic viscometers in accordance with Specifications D446.

5.3 Using viscosity oil standards established in this practice, an operator can calibrate kinematic viscometers in accordance with Specifications D446.

6. Apparatus

6.1 *Master Viscometers: Cannon⁴ or Ubbelohde⁵ Type*—Acceptable viscometers are shown in Fig. 1 and Fig. 2. Two masters are required with calibration constants in the 0.001 mm²/s² to 0.003 mm²/s² range. Additional masters have factors increasing in three-fold steps.

6.2 *Temperature Measuring Devices*—Use either a digital contact thermometer (DCT) or a liquid-in-glass thermometer meeting the requirements in 6.2.1 or 6.2.2 respectively:

6.2.1 *Digital Contact Thermometer*, which meets the requirements for a D02-DCT08 listed in Specification D8278 with a SPRT as the preferred sensor type.

6.2.1.1 The DCT probe is to be immersed by more than its minimum immersion depth in a constant temperature bath so that the center of the probe’s sensing region is at the same level as the lower half of the working capillary provided the probes minimum immersion depth is met. The end of the probe’s sheath shall not extend past the bottom of the viscometer’s lower reservoir.

6.2.1.2 Verify the calibration at least annually. The probe shall be recalibrated when the check value differs by more than 0.01 °C from the last probe calibration. Verification can be accomplished with the use of a water triple point cell, an ice bath or other suitable constant temperature device which has a known temperature value of suitable precision. See Practice E563, Guide E1750, and Guide E2593 for more information regarding checking calibrations.

6.2.2 *Liquid-in-Glass Thermometer*—Kinematic viscosity thermometers having a range from 18.5 °C to 21.5 °C, or 38.5 °C to 41.5 °C, and conforming to the requirements for Thermometers 44C and 120C, as prescribed in Specification E1, and calibrated to ±5 mK (0.005 °C). The thermometer shall have a report of temperature calibration from a calibration laboratory with a demonstrated competency in temperature calibration traceable to a national calibration or metrology standards body.

6.2.2.1 *Calibration Check*—Verify the thermometer at least annually against a reference thermometer in a constant temperature bath or an ice bath. The thermometer is to be inserted to its immersion depth. If using an ice bath, the ice point reading is to be taken within 60 min after the thermometer has been at test temperature for at least 3 min. If the corrected temperature reading deviates more than the calibration tolerance from the reference thermometer or the ice point then repeat this calibration check. If the thermometer deviates from

⁴ Cannon, M. R., “Viscosity Measurement, Master Viscometers,” *Industrial and Engineering Chemistry*. Analytical Edition, Vol 16, 1944, p. 708.

⁵ Ubbelohde, L., “The Suspended Lever Viscometer,” *Journal Institute Petroleum Technologists* (London), Vol 22, 1936, p. 37.

- A = 7 - 8 O.D.**
- B = 3 mL - 3.3 mL + Volume F**
- C & E - Etched Lines**
- D = 3 mL - 3.3 mL**
- F = Working Capillary**
- G = 8 - 9 O.D.**
- J = 12 - 13 O.D.**
- N = 30 ± 1 I.D.**
- Dimensions are in mm**

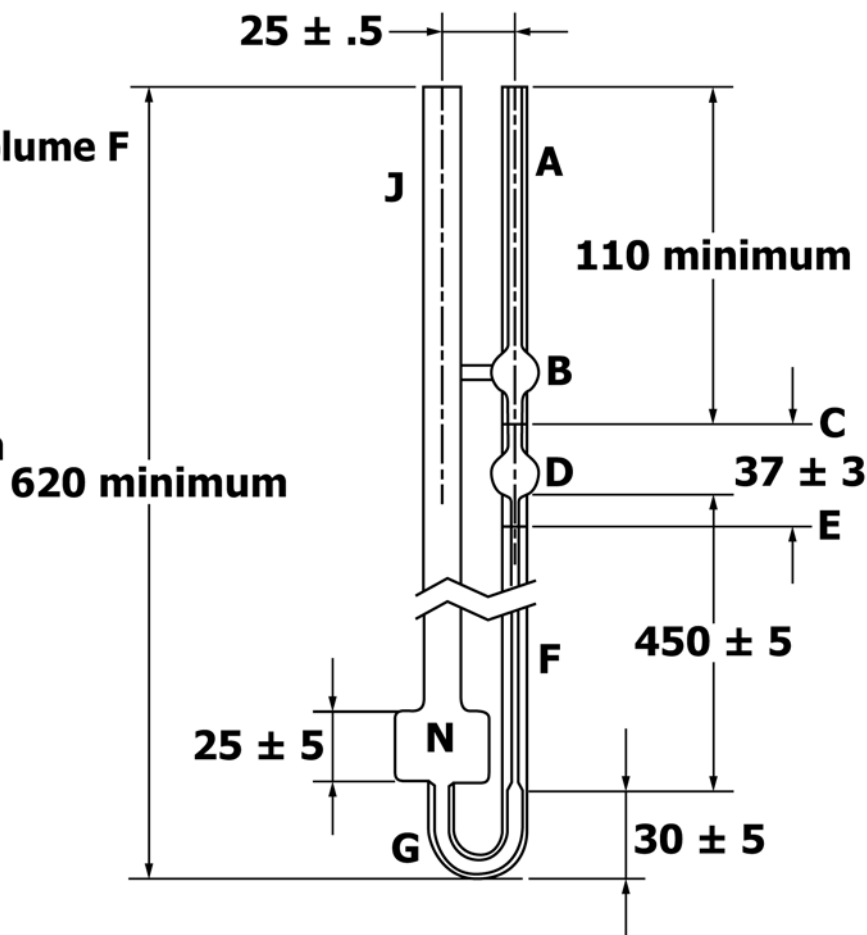


FIG. 1 Cannon Master Viscometer

the reference value on two successive checks then a full thermometer recalibration is needed.

6.2.2.2 *Recalibration*—A complete recalibration of the liquid-in-glass thermometer, while permitted, is not necessary in order to meet the accuracy ascribed to liquid-in-glass thermometer's design until the thermometers corrected measured temperature deviates from the reference thermometer or ice point by one scale division, or until five years has elapsed since the last full calibration.

6.3 *Bath*—A thermostated bath containing water or other transparent liquid deep enough to immerse the master viscometers so that the upper fiducial mark is at least 50 mm below the surface. The efficiency of stirring and the balance between heat loss and input must be such that the temperature of the water does not vary by more than ±0.01 °C over the length of the viscometer or from one viscometer position to another. The working section of the bath should be shielded from direct radiation from heaters and lights. A standard platinum resistance thermometer, approximately 450 mm in length, may be used to ensure that the variation in temperature does not exceed ±0.01 °C. Firm supports should be provided to hold the master viscometer in a rigid and reproducible position within 0° 15 min of vertical.

6.4 *Timer*—A spring-wound, electric, or digital timer capable of measuring time intervals of 300 s to 10 000 s with an

accuracy of ±0.03 %. The stop watch, fully but not tightly wound, must be used and tested in the same position. For example, if used at 45° inclination, it should have been tested previously in that position. Electric, not electronic, timers must be operated on circuits, the frequencies of which are controlled. Commercial power sources, the frequencies of which are intermittently and not continuously controlled, are not satisfactory. Both mechanical and electric timers can be sensitive to abnormally low ambient temperature and should not be used when cold.

NOTE 1—Time signals as broadcast by the National Institute of Standards and Technology are a convenient and primary standard reference for calibrating timing devices. The following can be used:

WWV	Fort Collins, CO	(2.5, 5, 10, 15, 20) MHz
WWVH	Kauai, HI	(2.5, 5, 10, 15) MHz
CHU	Ottawa, Canada	(3.33, 7.335, 14.67) MHz

Radio broadcast of voice and audio on a telephone line at phone number: 303-499-7111. Additional time services are available from the National Institute of Standards and Technology.

6.4.1 The timer shall be calibrated at least every 12 months.

NOTE 2—A laboratory's measurement uncertainty is dependent on the performance of the apparatus used. The uncertainty can be improved (decreased) by using equipment that exceeds (smaller tolerance) the minimum requirements shown in Section 6 as will rigorous maintenance of the equipment.